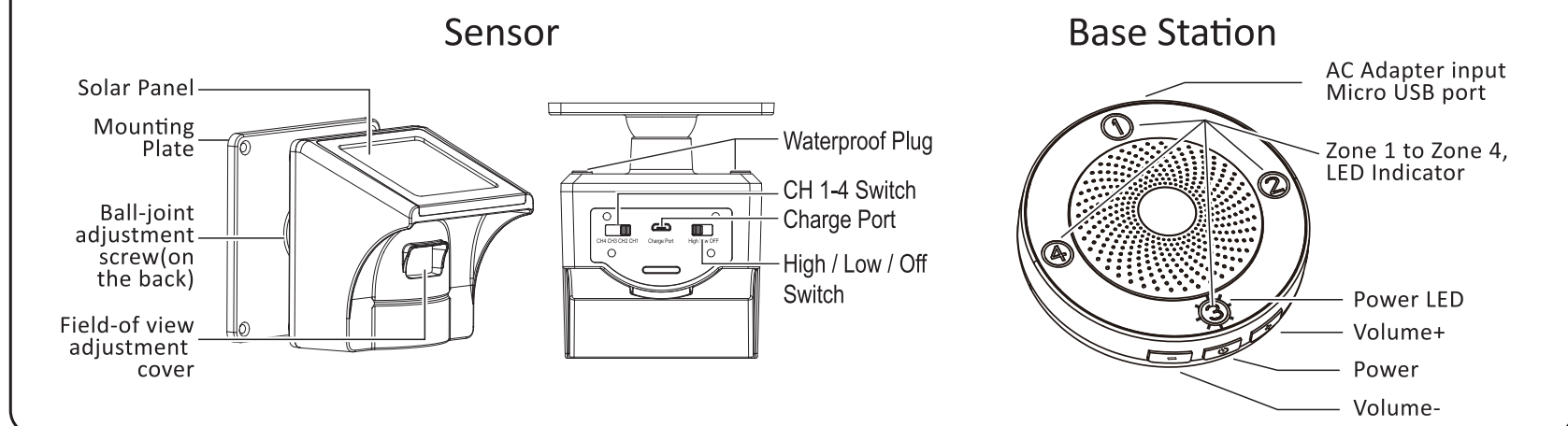




Quick Start Guide

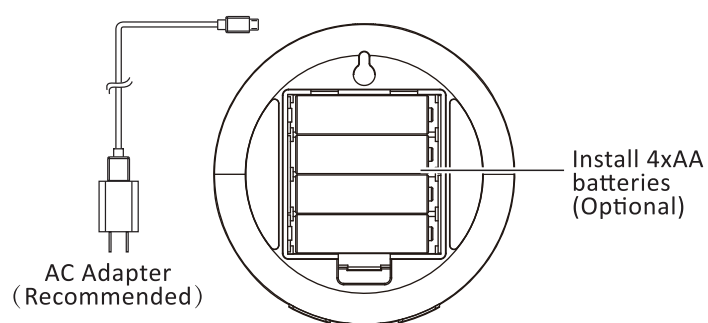
Overview



Powering and Pairing Sensor and Receiver

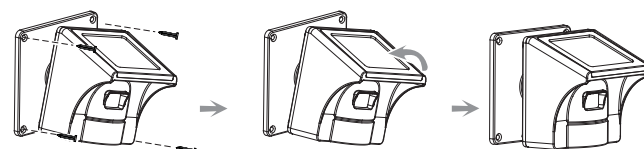
Base Station

- (1) Plug the Base Station into an outlet using the AC adapter. Base Station can also run on (4)AA batteries for up to 2 weeks, as backup in case of power outage.
- (2) The red power light will illuminate on #3 when the Base Station is on. To turn the Base Station on /off, hold down the power button until you hear the on/off tone.
- (3) Adjust the Base Station volume as needed, using the adjustable Volume +/- buttons. Volume adjustments will be heard on subsequent alarm activations, not while adjustments are being made. Powering off the base station will reset the volume to the factory setting.



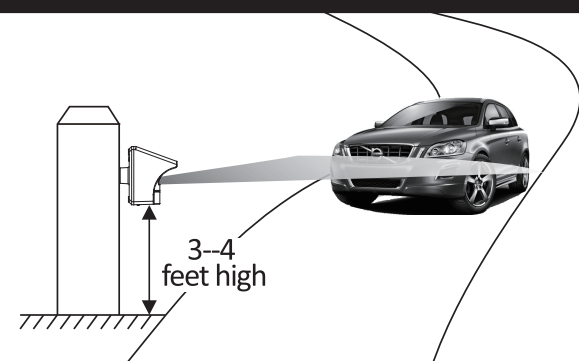
Sensor

- (4) Before installing the PIR Sensor, recharge the sensor (with 18650 battery attached) using the AC adapter to ensure a full charge. The blue light will illuminate while charging. The blue light will turn off once the battery is fully charged.
Note: The sensor has been tested several times in the factory. If the blue light wont illuminate, the battery may be fully charged, you can install it directly.
- (5) High / Low / Off Switch: First, open the black silicone seal cap at the bottom of the PIR Motion Sensor, then turn on the sensor by switching to High or Low. Set the detection range to High (30feet), Low (20 feet), or turn sensor Off.
- (6) CH 1-4 Switch: Select a different channel for each outside sensor. When detecting movements, a sensor eye will flash red only when assigned to lines 1 and 2, not lines 3 or 4.
Note: Each Separate channel uses an unique chime, allowing you to match different chimes with different channels.
- (7) Test the PIR Motion Sensor by waving your hand in front of the sensor. The Base Station will produce a unique tone based upon the sensor's setting.



Installing the Sensor

- 1) Mount the waterproof PIR Motion Sensor vertically on a solid surface 3-5 feet (1-1.5m) above the ground (rotate sensor to access screw holes). The sensor should be able to swivel as needed. Position the sensor to avoid direct sunlight shining on the sensor eye while simultaneously keeping the solar cell facing upward.
- 2) Vehicle Alert Installation: The best mounting position for detecting vehicles is about 4 feet (1.2m) high. The PIR sensor detects the movements with heat sources; please adjust the sensor eye with horizontal angle to the engine of the car.
Note :The sensors operate best in the -4F to 140F degree range. The sensors will not work properly outside of this temperature range.



Troubleshooting

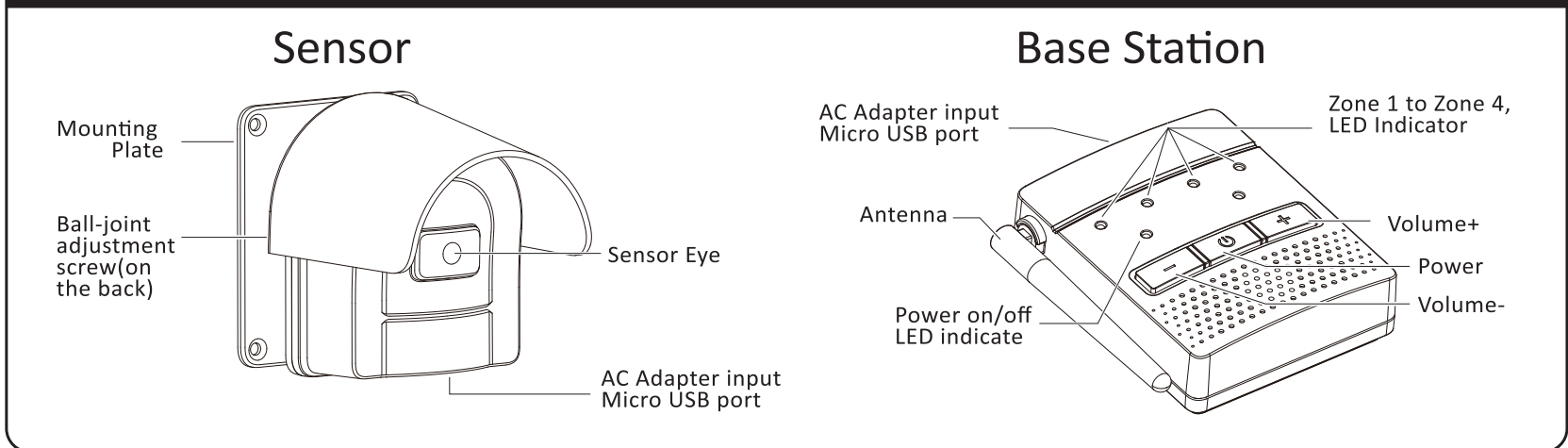
- **The PIR Motion Sensor operates, but the base station does not respond.**
Check the sensor switch settings (Refer to Instruction Manual - Assembly & Setup) .

184*254mm

Quick Start Guide

Video Link
<https://www.youtube.com/watch?v=6Qn9o3pVL2o>

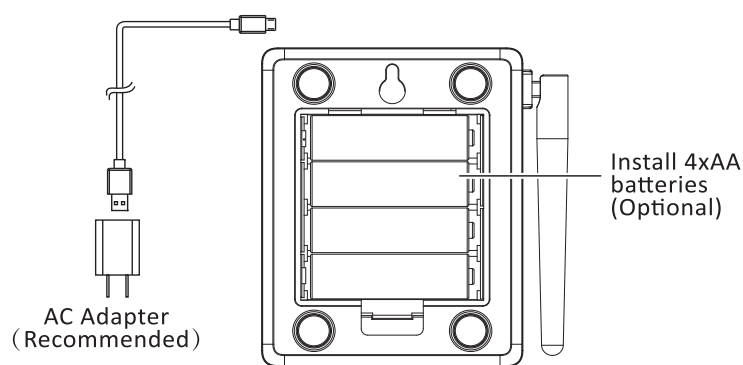
Overview



Powering and Pairing Sensor and Receiver

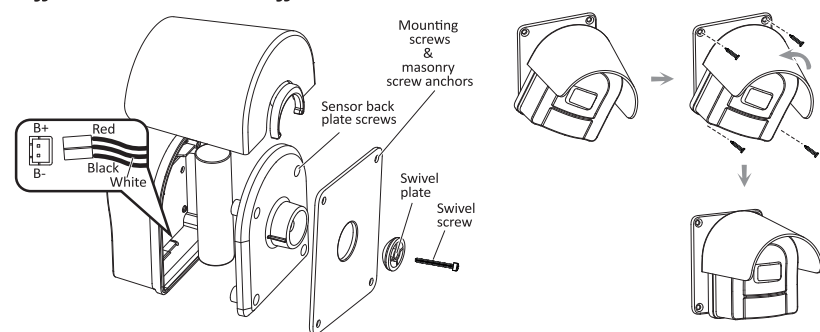
Base Station

- (1) Plug the Base Station into an outlet using the AC adapter. Receiver can also run on batteries as backup in case of power outage for 2 weeks.
- (2) To turn the Base Station on or off, hold down the Power button until you hear the on/off tone.
- (3) Adjust the Base Station volume as needed, volume adjustments will be heard on subsequent alarm activations, not while adjustments are being made. Powering off the base station will reset the volume to the factory setting.



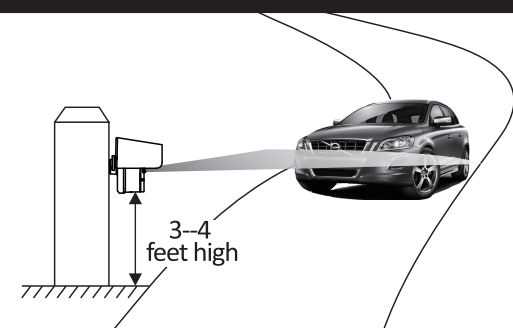
Sensor

- (4) Plug the small battery wire into the connector. Align notches to plug. (Red + / White/ Black -)
- (5) Before mounting the PIR sensor, recharge the sensor using the AC adapter to ensure a full charge. The blue light will illuminate while charging. The blue light will turn off once the battery is fully charged.
Note: The sensor has been tested several times in the factory. If the blue light wont illuminate, the battery may be fully charged, you can install it directly.
- (6) Test the PIR Motion Sensor by waving your hand in front of the sensor. The Base Station will produce a unique tone based upon the sensors channel setting. **When detecting movements, a sensor wil flash red only when assigned to lines 1 and 2, not lines 3 or 4.**
Note: Each separate channel uses an unique chime, allowing you to match different chimes with different channels.



Installing the Sensor

- 1) Mount the PIR Motion Sensor vertically 3-5 foot (1-1.5m) above the ground on a solid surface (i.e. a wall, wooden post or tree) with the sensor eye pointed straight out over the area you wish to cover. (rotate sensor to access screw holes). The sensor should be able to swivel as needed.
- 2) Vehicle Alert Installation: The best mounting position is about 4 feet (1.2m) high. The PIR sensor detects the movements with heat sources; please adjust the sensor eye with horizontal angle to the engine of the car.



Troubleshooting

- **The PIR Motion Sensor operates, but the base station does not respond.** Check the sensor switch settings (Assembly & Setting) and make sure the battery wire is securely plugged into the connector.

254*184mm